



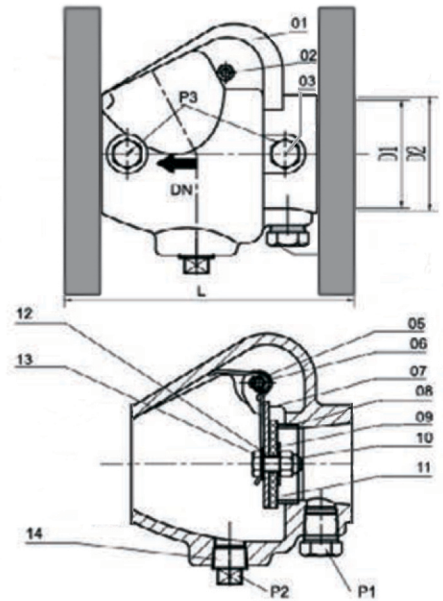
### Technical Features

- Nominal Pressure: 350PSI, 300PSI
- Sizes: 2", 2½", 3", 4", 5", 6", 8", 10", 12"
- Approvals: UL
- Flange Standard: ASME / ANSI B16.1 Class 125 or ASME / ANSI B16.42 Class 150 or BS EN1092-2 PN16 or GB / T9113.1
- Maximum Working Pressure: 350PSI (Maximum Testing Pressure: 700 PSI) conforms to UL 312 & FM class 1210
- Maximum Working Temperature: 80°C / 176°F
- Coating Details: Epoxy coated interior and exterior by Electrostatic Spray or coating upon request
- Applications: Used in one-way flow pipeline to prevent the water from back flow
- Other Connections: Flange\*Groove



### Valve Material List

NO.	Name	Material	Standard
1	Valve Body	Ductile Iron	ASTM A536 65-45-12
2	Bolt	Steel 1045	ASTM A29
3	Plug	Steel 1045	ASTM A29
4	Plug	Steel 1045	ASTM A29
5	Spring	Stainless Steel 304	ASTM A276
6	Hinge Pin	Stainless Steel 304/Ductile Iron	ASTM A276/ASTM A536 65-45-12
7	Clapper	Stainless Steel 304	ASTM A276
8	Seal	C95400	ASTM A148
9	Clamping Ring	Stainless Steel 304	ASTM A276
10	Locknut	Stainless Steel 304	ASTM A276
11	Facing Seal	EPDM	ASTM D2000
12	Gasket	EPDM	ASTM D2000
13	Bolt	Stainless Steel 304	ASTM A276
14	Plug	Steel 1045	ASTM A29



### Dimensions

Size	L	D1	D2	B	C	P1			P2				P3		
2"	169	57.15	60.3	7.95	15.88	Rc½-14	Rc½-14	Rc¾-14	Rc1-11	Rc1 ¼-11	Rc1 ½-11	Rc2-11	Rc¾-19	Rc¾-19	Rc½-14
		½-14NPT	½-14NPT			¾-14NPT	1-11.5NPT	1 ¼-11.5NPT	1 ½-11.5NPT	2-11.5NPT	¼-18NPT	¾-18NPT	½-14NPT		
2½"	181	69.09	73	7.95	15.88	Rc½-14	Rc½-14	Rc¾-14	Rc1-11	Rc1 ¼-11	Rc1 ½-11	Rc2-11	Rc¾-19	Rc¾-19	Rc½-14
		½-14NPT	½-14NPT			¾-14NPT	1-11.5NPT	1 ¼-11.5NPT	1 ½-11.5NPT	2-11.5NPT	¼-18NPT	¾-18NPT	½-14NPT		
3"	198	84.94	88.9	7.95	15.88	Rc½-14	Rc½-14	Rc¾-14	Rc1-11	Rc1 ¼-11	Rc1 ½-11	Rc2-11	Rc¾-19	Rc¾-19	Rc½-14
		½-14NPT	½-14NPT			¾-14NPT	1-11.5NPT	1 ¼-11.5NPT	1 ½-11.5NPT	2-11.5NPT	¼-18NPT	¾-18NPT	½-14NPT		
4"	214	110.08	114.3	9.53	15.88	Rc½-14	Rc½-14	Rc¾-14	Rc1-11	Rc1 ¼-11	Rc1 ½-11	Rc2-11	Rc¾-19	Rc¾-19	Rc½-14
		½-14NPT	½-14NPT			¾-14NPT	1-11.5NPT	1 ¼-11.5NPT	1 ½-11.5NPT	2-11.5NPT	¼-18NPT	¾-18NPT	½-14NPT		
5"	248	135.48	139.7	9.53	15.88	Rc½-14	Rc½-14	Rc¾-14	Rc1-11	Rc1 ¼-11	Rc1 ½-11	Rc2-11	Rc¾-19	Rc¾-19	Rc½-14
		137.03	141.3			½-14NPT	½-14NPT	¾-14NPT	1-11.5NPT	1 ¼-11.5NPT	1 ½-11.5NPT	2-11.5NPT	¼-18NPT	¾-18NPT	½-14NPT
6"	270	160.78	165.1	9.53	15.88	Rc½-14	Rc½-14	Rc¾-14	Rc1-11	Rc1 ¼-11	Rc1 ½-11	Rc2-11	Rc¾-19	Rc¾-19	Rc½-14
		163.96	168.3			½-14NPT	½-14NPT	¾-14NPT	1-11.5NPT	1 ¼-11.5NPT	1 ½-11.5NPT	2-11.5NPT	¼-18NPT	¾-18NPT	½-14NPT
8"	325	211.6	216.3	11.13	19.05	Rc½-14	Rc½-14	Rc¾-14	Rc1-11	Rc1 ¼-11	Rc1 ½-11	Rc2-11	Rc¾-19	Rc¾-19	Rc½-14
		214.4	219.1			½-14NPT	½-14NPT	¾-14NPT	1-11.5NPT	1 ¼-11.5NPT	1 ½-11.5NPT	2-11.5NPT	¼-18NPT	¾-18NPT	½-14NPT
10"	457	268.3	273	12.7	19.05	Rc½-14	Rc½-14	Rc¾-14	Rc1-11	Rc1 ¼-11	Rc1 ½-11	Rc2-11	Rc¾-19	Rc¾-19	Rc½-14
		½-14NPT	½-14NPT			¾-14NPT	1-11.5NPT	1 ¼-11.5NPT	1 ½-11.5NPT	2-11.5NPT	¼-18NPT	¾-18NPT	½-14NPT		
12"	535	318.3	323.9	12.7	19.05	Rc½-14	Rc½-14	Rc¾-14	Rc1-11	Rc1 ¼-11	Rc1 ½-11	Rc2-11	Rc¾-19	Rc¾-19	Rc½-14
		½-14NPT	½-14NPT			¾-14NPT	1-11.5NPT	1 ¼-11.5NPT	1 ½-11.5NPT	2-11.5NPT	¼-18NPT	¾-18NPT	½-14NPT		